



SPECIFICATION SHEET

UMACABLE HIGH QUALITY MINI DISPLAYPORT TO DISPLAYPORT ADAPTER CABLE

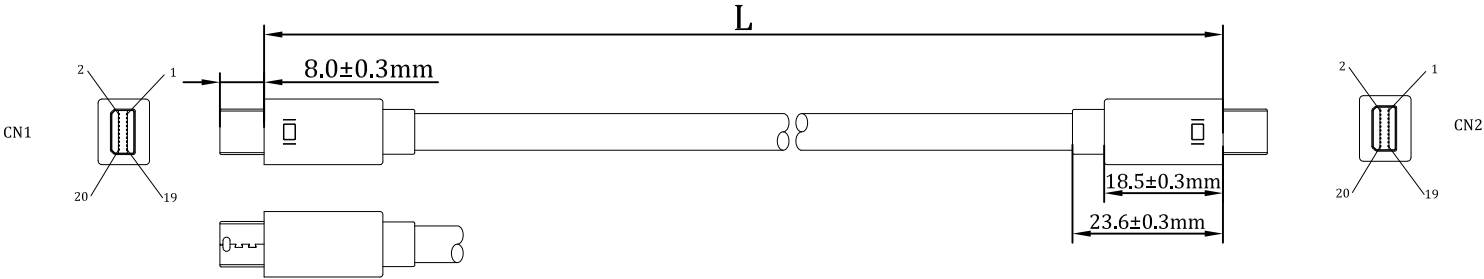
ITEM NO.: UMDP2101



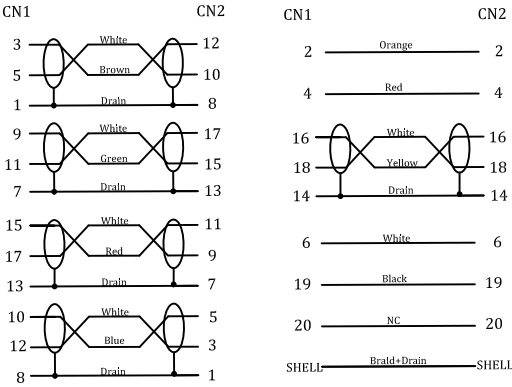
KEY FEATURES :

- High Quality Mini DisplayPort to DisplayPort Adapter cable
- Carries a digital audio/video signal
- Supports a High Bit Rate (HBR) bandwidth and up to a 4k resolution
- Built to DisplayPort 1.2 standard
- Lifetime Warranty

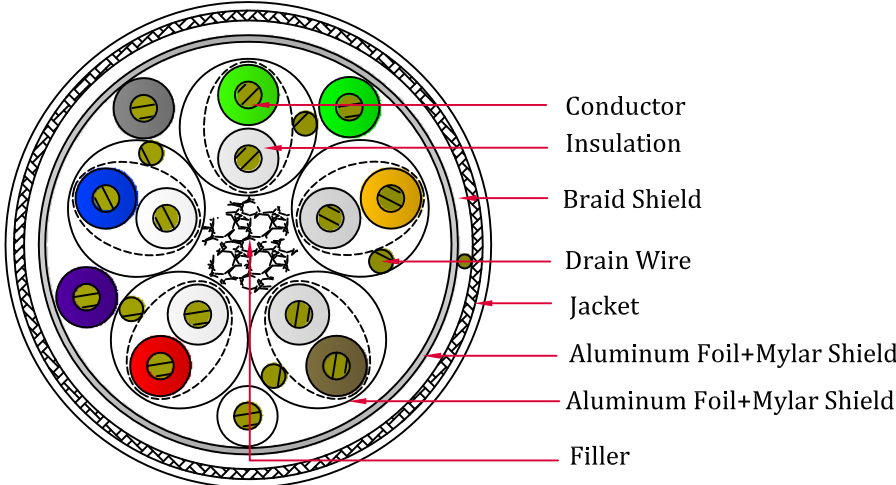
UMACABLE HIGH QUALITY MINI DISPLAYPORT CABLE



Diagram



Construction



UMACABLE HIGH QUALITY MINI DISPLAYPORT TO DISPLAYPORT ADAPTER CABLE

Electrical Characteristics:

Nominal Impedance:	100±10Ω
Nominal Velocity of Propagation:	≤1.78ns
DC Resistance:	376Ω/km
Dielectric Strength:	AC 500V/1 minute
Insulation Resistance:	100Ω

Conductor 1 (5 pairs)

Conductor Type:	32AWG Tinned Copper
Insulation:	Foamed PE
Color:	Brown/White, Green/White, Blue/ White, Red/White, Yellow/White
Drain Wire:	32AWG Tinned Copper
Shield:	Aluminum Foil+Mylar 100% Coverage

Connector 1

Connector Type:	Mini DisplayPort Male
PIN Construction:	Phosphor Copper
Plating:	1 μm Gold
Injection:	ABS

Overall

Drain Wire:	32AWG Copper Clad Steel
Foil Shield:	Aluminum Foil+Mylar 100% Coverage
Braided Shield:	16/5/0.12 Aluminum Magnesium
Jacket:	PVC
OD:	5.5±0.2mm

Physical Characteristics:

Voltage Rating:	30V
Maximum Bend Radius:	90mm
Temperature Rating:	80℃
Approvals:	RoHS Compliant
Package type:	PE bag, Zip bag, Box, Hang card, Blister

Conduct 2 (5 cores)

Conductor Type:	32AWG Tinned Copper
Insulation:	HDPE
Color:	Orange, Red, White, Black
Drain Wire:	32AWG Tinned Copper
Shield:	Aluminum Foil+Mylar 100% Coverage

Connector 2

Connector Type:	DisplayPort Male
PIN Construction:	Phosphor Copper
Plating:	1 μm Gold
Injection:	ABS

Customized Parameters

Guage:	AWG 32, 30
Length:	1, 1.5, 1.8, 2, 3, 5m
Color:	Black or Customized
Ferrite Core:	Customized
Nylon Mesh:	Customized
Package type:	PE bag, Zip bag, Box, Hang card, Blister